

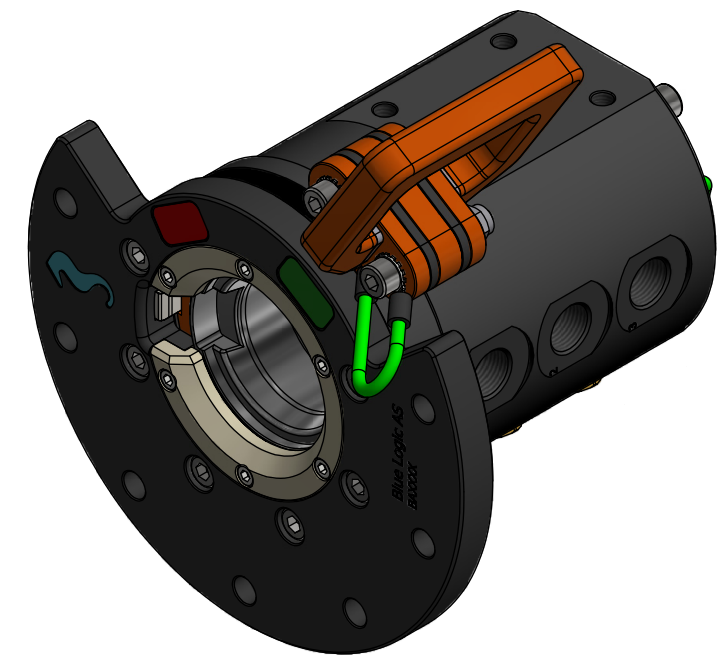
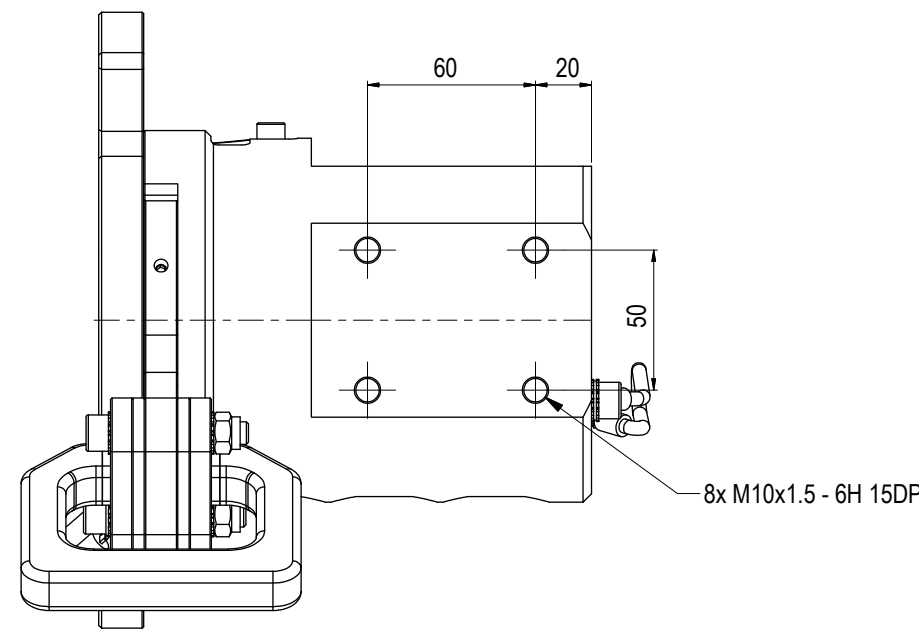
NOTE: 1  
DESIGN CODE:  
NS-EN 13445

NOTE: 2  
TECHNICAL CLASSIFICATION:  
Article Type: 003-Valve Stabs  
Main Group: 3.03. Ø55-Valvestab  
Intermediate Group: 3.12.02. Receptacle  
Sub Group: 3.12.69.3. Triple

NOTE: 3  
INTERFACE INFORMATION:  
Pressure Rating Bar: 250  
Material: Intervention  
Weight: 8,6 kg  
Volume: 2,12 dm<sup>3</sup>  
Surface Area: 4275 cm<sup>2</sup>  
Hydraulic: 1/2" BSP  
Mechanical: N/A  
Electrical: N/A  
Com. & Protocol: N/A

NOTE: 4  
SPAREPARTS:  
BB1690

NOTE: 5  
ADDITIONAL INFORMATION:  
Usermanual: 600112-TD-0003



11	29.5.2024	9-IFU (Issued for Use)		WTJ	HNJ	WTJ
10	31.5.2023	9-IFU (Issued for Use)		WTJ	LGH	WTJ
09	18.4.2023	9-IFU (Issued for Use)		WTJ	LGH	WTJ
08	31.1.2019	9-IFU (Issued for Use)		WTJ	LGH	WTJ
Rev.	Date	Reason for issue	Revision change	Made	Chk'd	Appr.

**BLUE LOGIC**

Dwg Scale:  
NTS  
Dwg Proj:  
Dwg Format:  
A3

Drawing title:  
Ø55 TP VStab Rec 250Bar Interv Man BSP 1/2" WeLi

Drawing number:  
BA2226

Rev.  
11